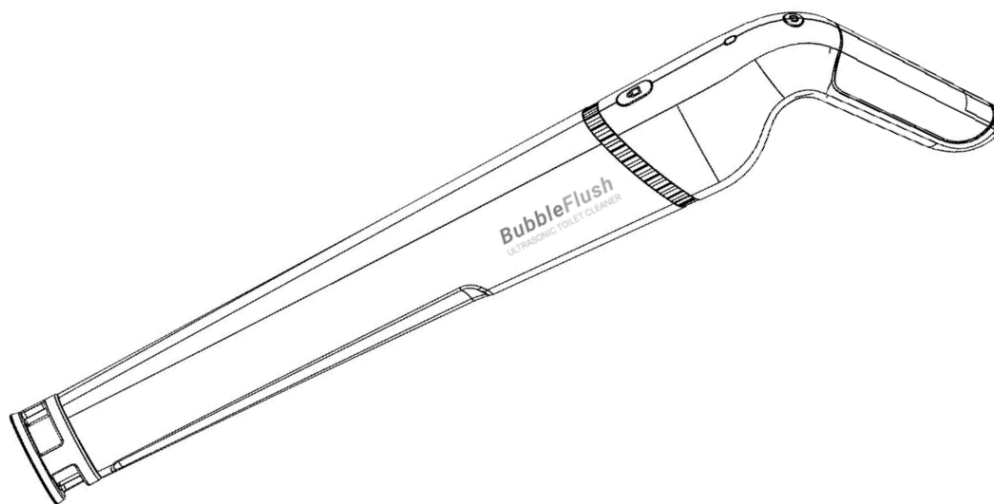


# BubbleFlush

(BBF.275.62 - BBF.V2.112)

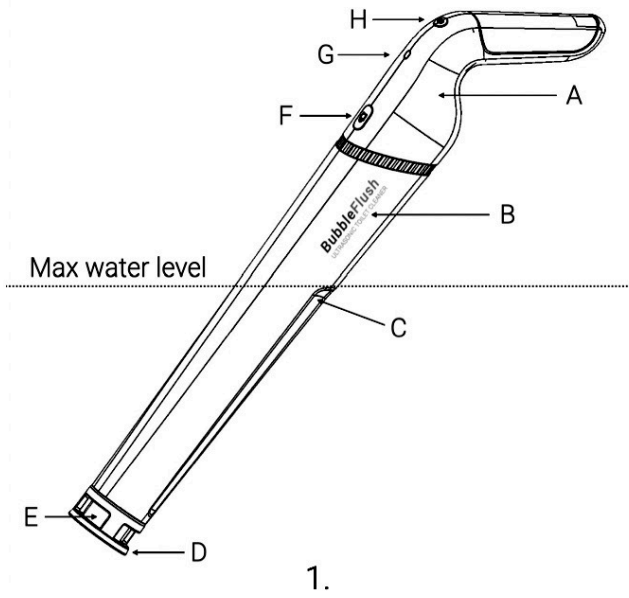
Ultrasonic toiletcleaner - User Manual



12 Juni 2023 - V1.9 Translate version

**BubbleFlush B.V.**

Industrieweg 4D, Zoetermeer, Nederland  
+31 (0)79 343 6313  
[www.bubbleflush.com](http://www.bubbleflush.com)  
[info@bubbleflush.com](mailto:info@bubbleflush.com)

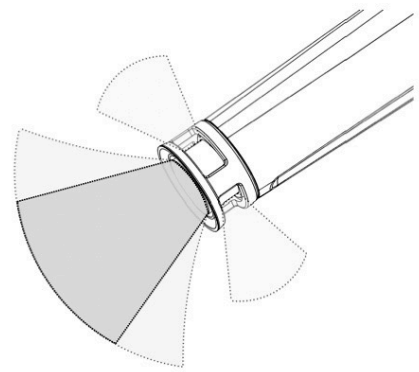


Scan for more information

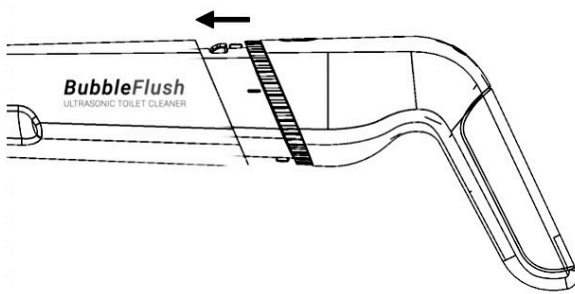
1.



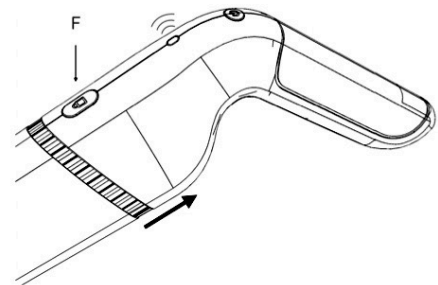
2.



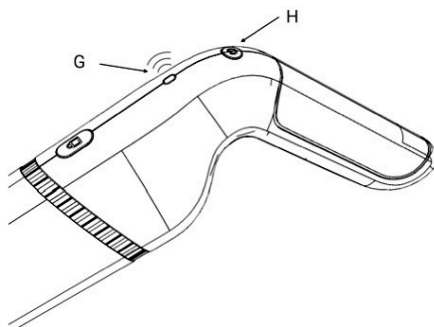
3.



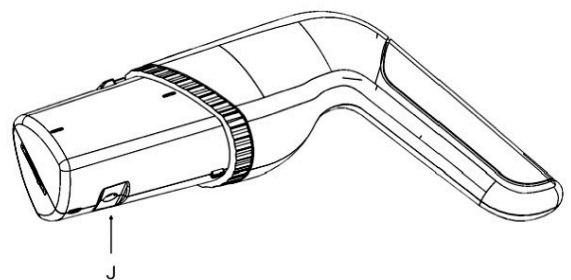
4.



5.



6.



7.

# English

(translation of the original user guide)

## Declaration of general data (fig. 1)

A	Handle part	F	Release button
B	Lance part	G	LED
C	Notch	H	ON button
D	Protective ring	J	Charging connector
E	Ultrasonic element		

## TECHNICAL DATA

	Handle part	Lance part
Dimensions (cm)	27x14x8	42,5x8x8
Weight (kg)	0,57	1,1
Capacity (Ah)	4,8	
Charging time (min)	60	
Rated voltage	10,8V DC	
Operating conditions	10 - 40 °C	

## Intended use of the product (fig. 2 and 3)

The product is intended for cleaning the toilet using the available (clean) toilet water without using chemicals. The product cleans the toilet by emanating from the front and sides of the ultrasonic element. The intended lifetime of the product is 3 to 5 years depending on the frequency of use. Any modification of the product may affect safety and warranty.

## WARNING Read all safety warnings and all instructions.

Failure to follow the warnings and instructions may result in electric shock, fire and/or serious injury.

## Save all warnings and all instructions for future reference.

## SAFETY WARNINGS

- DO NOT place the product beyond the top of the notches on the white lance section in the water (afb. 1 - max water level). **CAUTION:** above the notches on the white lance part, the product is NOT water resistant.
- DO NOT rinse the product under a tap after use, but clean it as described under Maintenance.
- Use the product only with the available (clean) toilet water.
- Use of chemicals does not enhance the product's performance and may possibly lead to unexpected reactions in the toilet water.
- Use the product only when the protective ring is placed on the lance part to protect the ultrasonic element.
- Be careful not to drop the product or bump into something.
- The product should not be used by persons (including children under 8 years) with reduced physical, sensory or mental capabilities or lack of experience and knowledge, unless they are supervised or have received instructions.
- Supervision must be provided to ensure that children do not play with the product.
- Cleaning and user maintenance should not be carried out by children without supervision.
- Place one hand on the handle of the grey handle part and the other hand above the notches on the white lance part during use.
- Hold the product firmly during use.
- Place the product in toilet water before activating it.
- Keep your hands away from the ultrasonic element during toilet cleaning with the product.
- Keep your hands out of the toilet water during toilet cleaning with the product.
- Do not leave the product switched on. Operate the product only when holding it.

- Do not disassemble the handle part of the product.
- Do not disassemble the lance part of the product.
- Charge the product only with the supplied charger (model: YHY-12604500)..
- Use a power supply with a voltage indicated on the rating plate of the supplied charger (model: YHY-12604500)..
- Do not charge the product near flammable liquids or gases.
- Make sure the cord is in a place where it will not be stepped on, tripped over or otherwise exposed to damage or forces.
- Do not use the charger supplied with a damaged cord or plug. If the cord or plug is damaged, ask the manufacturer, its service agent or similarly qualified persons to replace it to avoid risk.
- Do not store the product where the temperature can reach 50 °C or higher.
- Do not throw the product into a fire, even if it is already severely damaged or completely worn out. The battery in the product may explode in a fire.
- This device contains batteries that should only be replaced by competent persons.

## KEEP THESE INSTRUCTIONS

### Warning

DO NOT be misled by a false sense of comfort and familiarity with the product (after frequent use) and always strictly observe all safety instructions of the respective product.

WRONG USE or failure to follow the safety instructions in these instructions may result in serious personal injury.

### Tips for long product life

- Use the product only with the available (clean) toilet water.
- Wipe the product with a damp cloth after use.
- Replace a damaged protective ring to prevent damage to the ultrasonic element.
- Only switch on the product after the front of the lance part has been placed in the toilet water.
- **CAUTION:** The expected life of the product may be significantly shortened and/or the product may be (severely) damaged by the use of chemicals during cleaning.

### Tips for long battery life

- Charge the product before it is completely empty.
- Never charge a fully charged product.
- Charge the product at an ambient temperature of 10 to 40 °C.
- Charge the product every 3 months if you do not use it for a long time.

## DESCRIPTION OF FUNCTIONS

### Inserting the handle part into the lance part (fig. 4)

- If necessary, remove the plug of the charger from the handle part before inserting it in the lance part.
- Insert the front of the handle part into the top of the lance part.
- Slowly slide the handle part until it clicks into the lance part.
- Do not apply great force when inserting the handle part. If the handle part cannot be easily pushed in, it is not inserted properly.
- Check that the parts are locked in place.

### Unlocking the handle part (fig. 5)

- Press the release button (F).
- Carefully pull the handle part out of the lance part.
- Do not apply great force when pulling off the handle part. If the handle part cannot be pushed out easily, it has not been released properly.

### Activating the product (fig. 6)

- Gently press the ON button (H) and immediately release. After releasing the ON button, the system starts up. After 3 seconds, the product is ready for use.
- The LED (G) flashes green/red to indicate the battery status.
- After 10 seconds, the LED stops displaying the battery status and switches off.

### Function LED

- **Green flashing** the product is ready for use.
- **Blue** the product is active.
- **Red** the product needs to be charged.
- **Orange** safety mode. Wait until the orange LED goes out (max. 1 min). The product is ready to use again.

### Battery status

- **Flashing 1x per sec. green** > 30% charge
- **Flashing 2x per sec. green** 10 - 30% charge
- **Flashing red** Product must be charged

### Charging the product (fig. 7)

- Carefully remove the handle part from the lance part. The charging connector (J) becomes visible at the bottom of the handle part.
- Insert the plug of the supplied charger into the charging connector of the handle part.
- Insert the charger into the socket.
- LED on the charger turns red. The product is charging.
- LED on the charger turns green. The battery in the product is full and the handle part is ready for use.
- Remove the charger plug from the handle part as soon as it is fully charged.

### Cleaning process toilet (fig. 2 and 3)

- Place the front of the product's lance in the toilet water and switch on the product.
- You will hear a buzzing sound, this is the sign that cleaning has started. The ultrasonic element emanates from the front and sides, cleaning the toilet.
- During cleaning, gently move the product through the siphon, aiming at the walls and dirt.
- After cleaning, flush the toilet while switching the product on again and moving it around in the water. You are now cleaning just above the water line and also cleaning the product at the same time.

## Notes

A new handle part or a handle part that has not been used for a long time may sometimes not be fully charged until you have fully discharged and recharged it a few times.

## OPERATION

### Using the product

#### Standard cleaning (30 seconds)

- Flush the toilet if there is loose dirt in the siphon.
- Briefly press the ON button to activate the product. The product is ready for use when the LED flashes green.
- Place the front of the product's lance in the toilet water.
- Briefly press the ON button again to start the standard cleaning. Cleaning has started when the LED turns blue.
- The product automatically switches off after 30 sec or stops if you briefly press the ON button again.

#### Manual cleaning (max. 1 minute)

- Flush the toilet if there is loose dirt in the siphon.
- Briefly press the ON button to activate the product. The product is ready for use when the LED flashes green.
- Place the front of the lance of the product in the toilet water.
- Press and hold the ON button to start manual cleaning. Cleaning has started when the LED turns blue.
- The product cleans as long as the button is pressed and stops as soon as the ON button is released.
- The product switches off automatically after 1 minute and can be used again after a few seconds.

### Caution

- For stubborn soiling, you may need to repeat the cleaning process. Old or stubborn soiling may not disappear in one cleaning.
- With significant soiling of the toilet, additional soiling may come off when flushing after cleaning and be visible in the siphon.
- The product needs to break in and will clean better the more often it is used.

## MAINTENANCE

### Periodic cleaning product

- After cleaning a toilet with the product, flush the toilet while switching the product on again and moving it around in the water. You are now cleaning the product itself.
- Wipe the product while it is assembled (handle part locked into the lance part) with a damp cloth.
- From the top of the notches on the white lance part to the cleaning ultrasonic element, it can be wet cleaned.